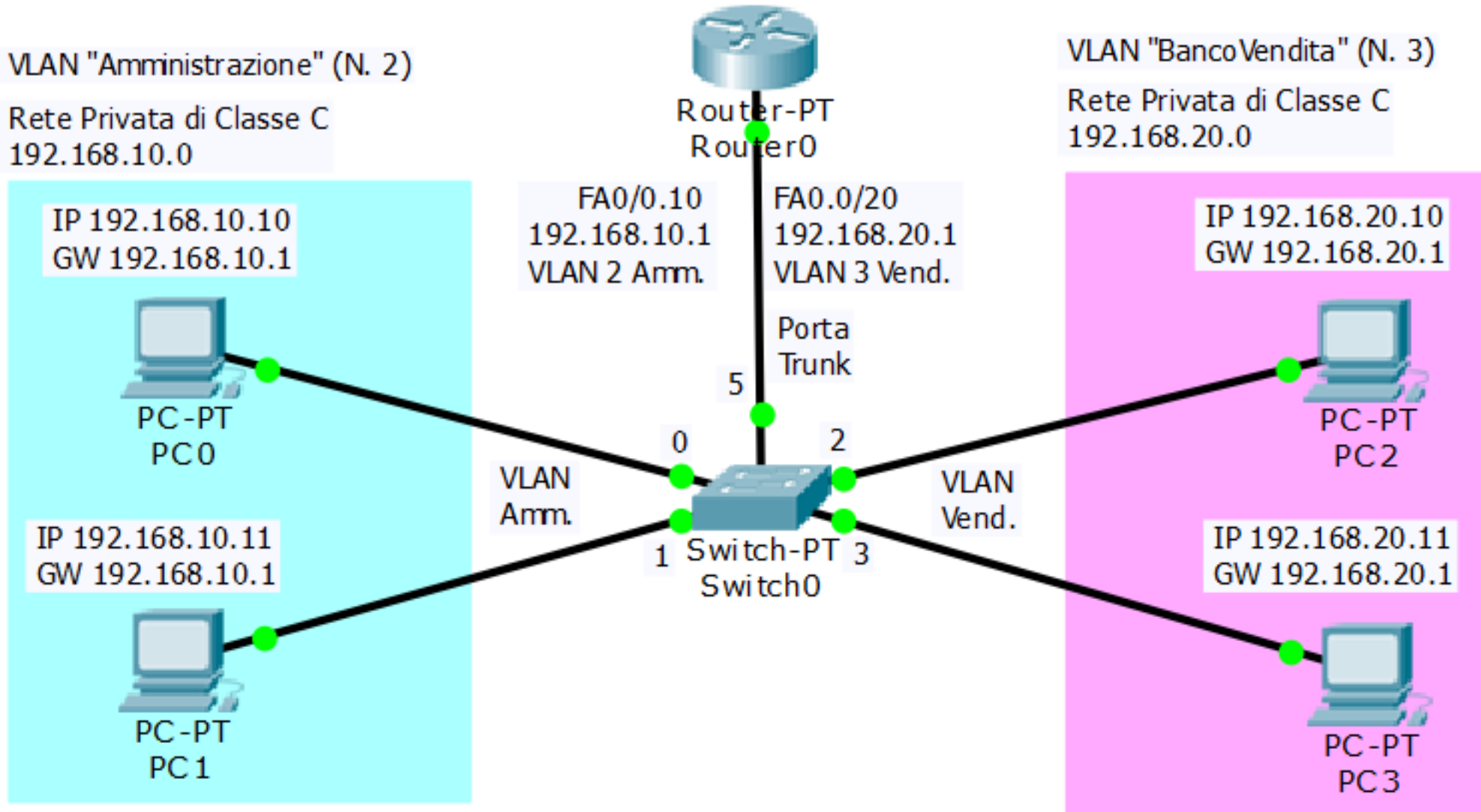


InterVLANRouterOnAStick

Esempio pilota "InterVLANRouterOnAStick.pkt":
 Connettere due VLAN tramite un Router utilizzando la tecnica del "Router-on-a-stick".



Comandi CLI per configurare le due
"interfacce virtuali" FA0/0.10 e FA0/0.20

```
Router>enable
```

```
Router#configure terminal
```

```
Router(config)#interface Fa 0/0.10
```

```
Router(config-subif)#encapsulation dot1q 2
```

```
Router(config-subif)#ip address 192.168.10.1 255.255.255.0
```

```
Router(config-subif)#exit
```

```
Router(config)#interface Fa 0/0.20
```

```
Router(config-subif)#encapsulation dot1q 3
```

```
Router(config-subif)#ip address 192.168.20.1 255.255.255.0
```

```
Router(config-subif)#exit
```

```
Router(config)#exit
```

```
Router#
```